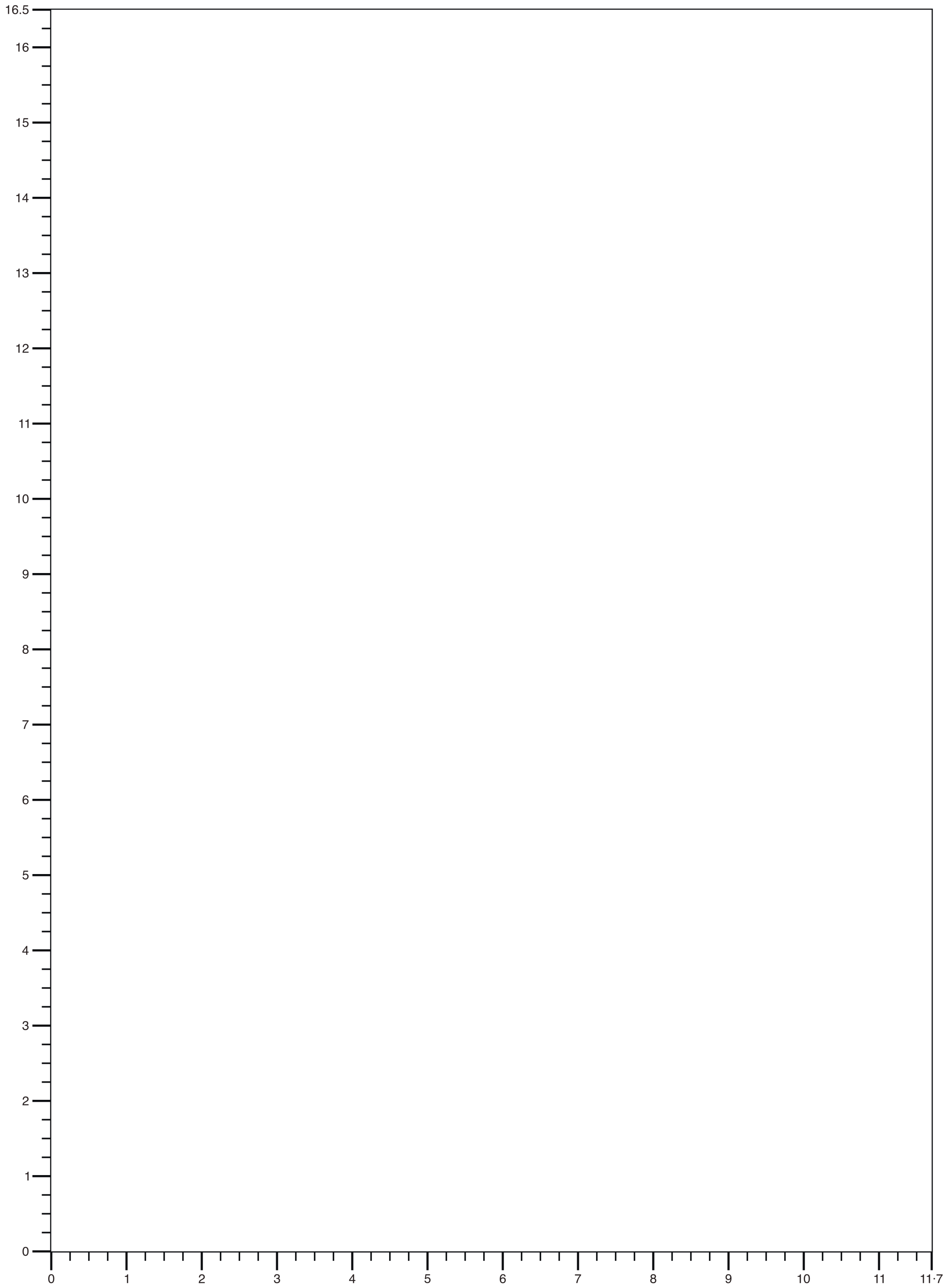
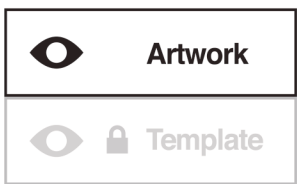

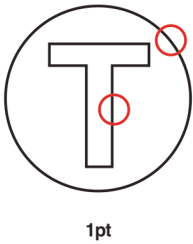
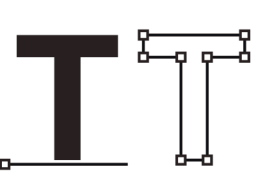


# A3

11.7x16.5 in.



- 1** Paste your design onto the **Artwork** layer.  

- 2** Reposition and scale your design as needed.  

- 3** Check **Line Weight**. Make sure free-floating lines are 1pt minimum.  

- 4** Convert **Fonts** to outlines or shapes.  

- 5** Save as **PDF**.  
